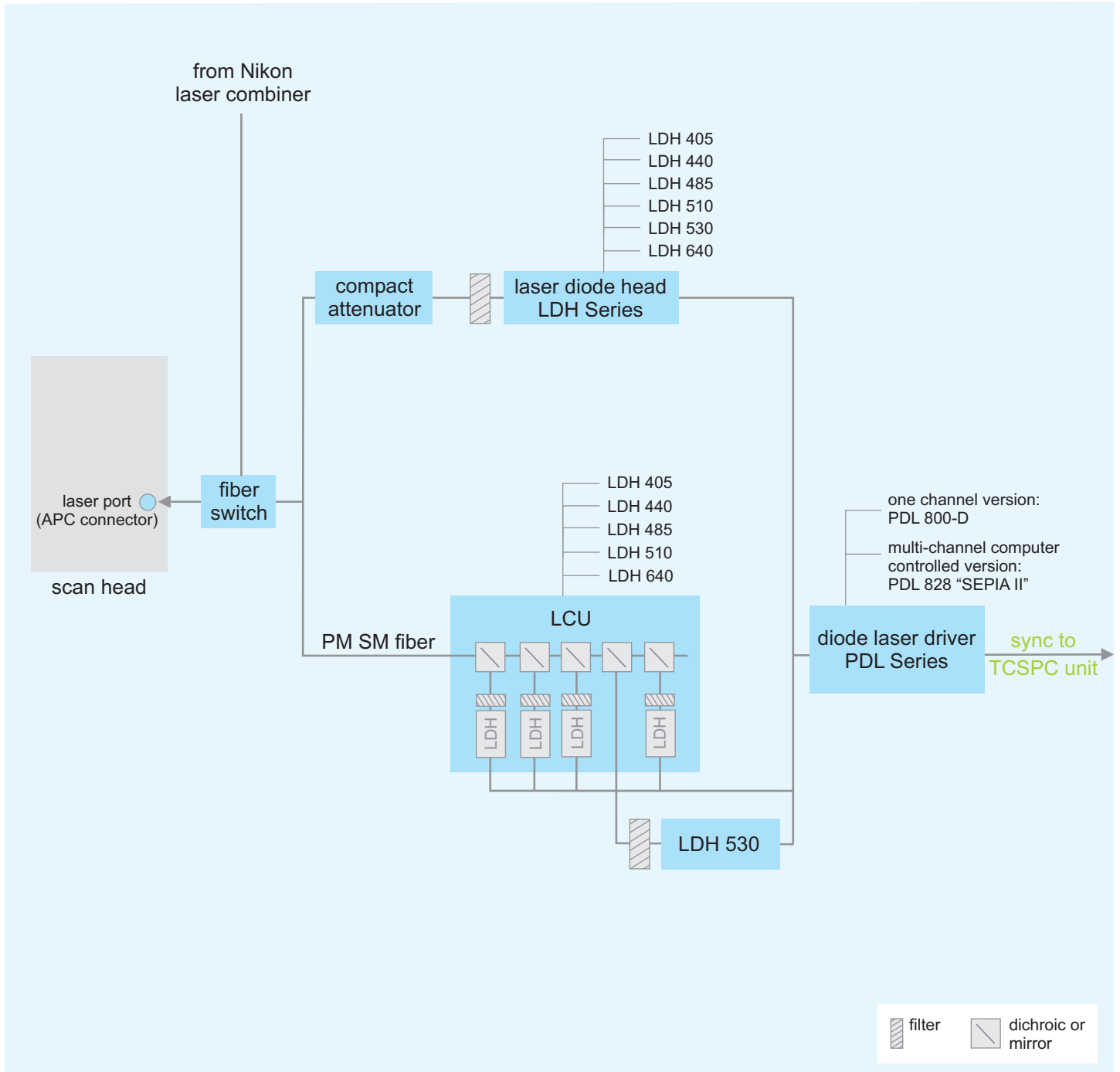
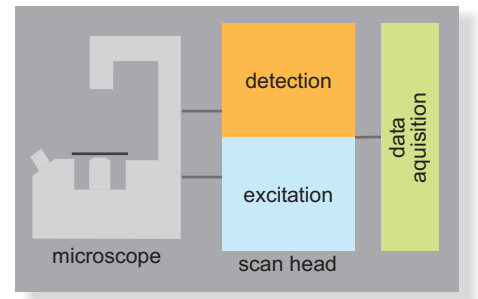
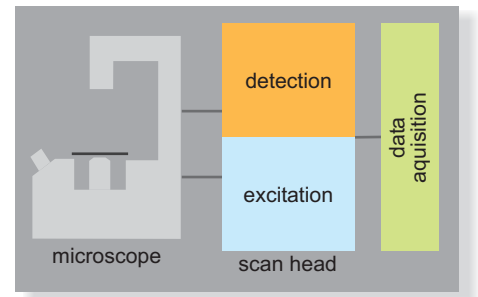


Excitation Components Nikon C1 and C2

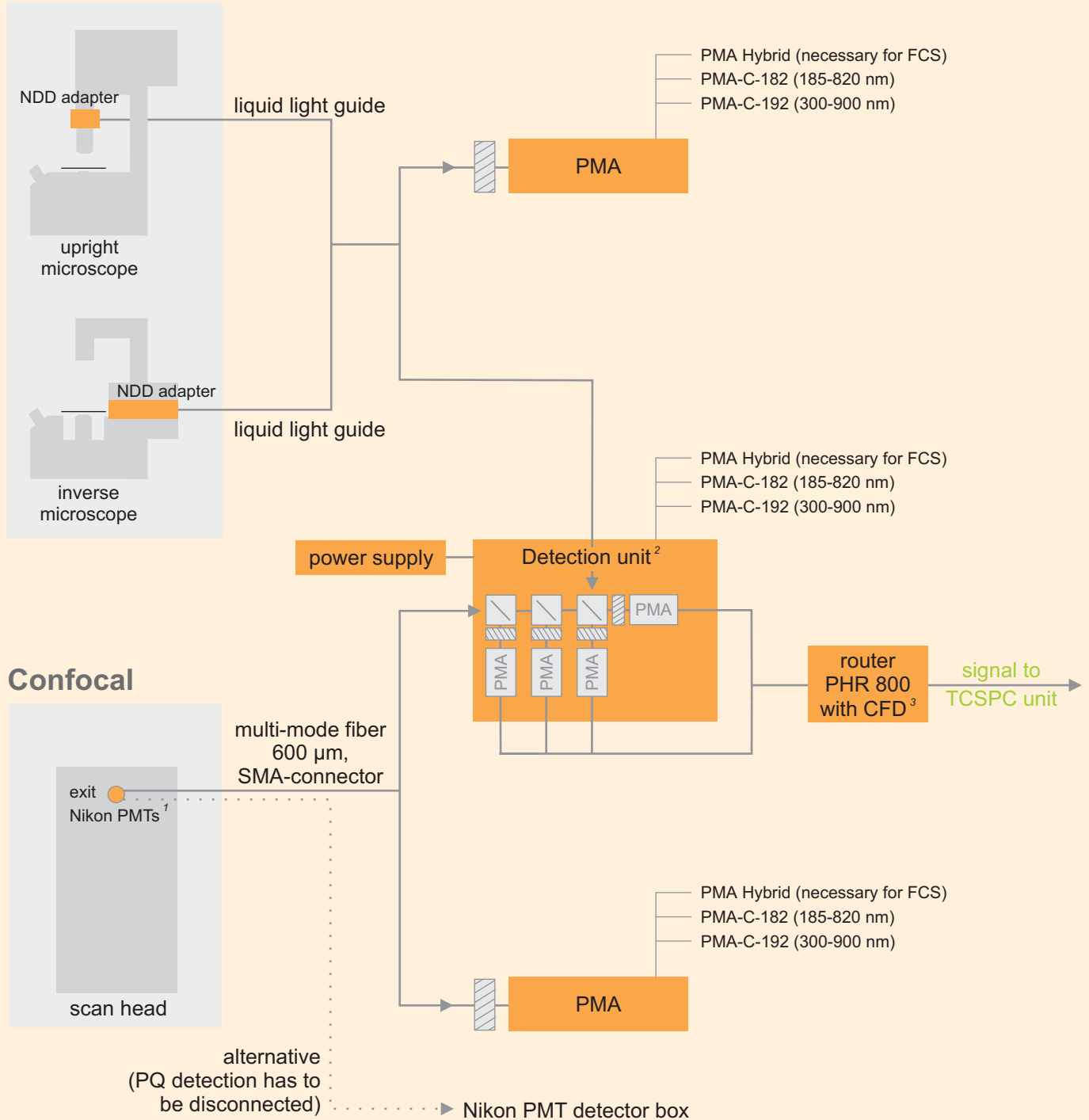


PMA Detection Components

Nikon C1 and C2



NDD (Non-descanned Detection)

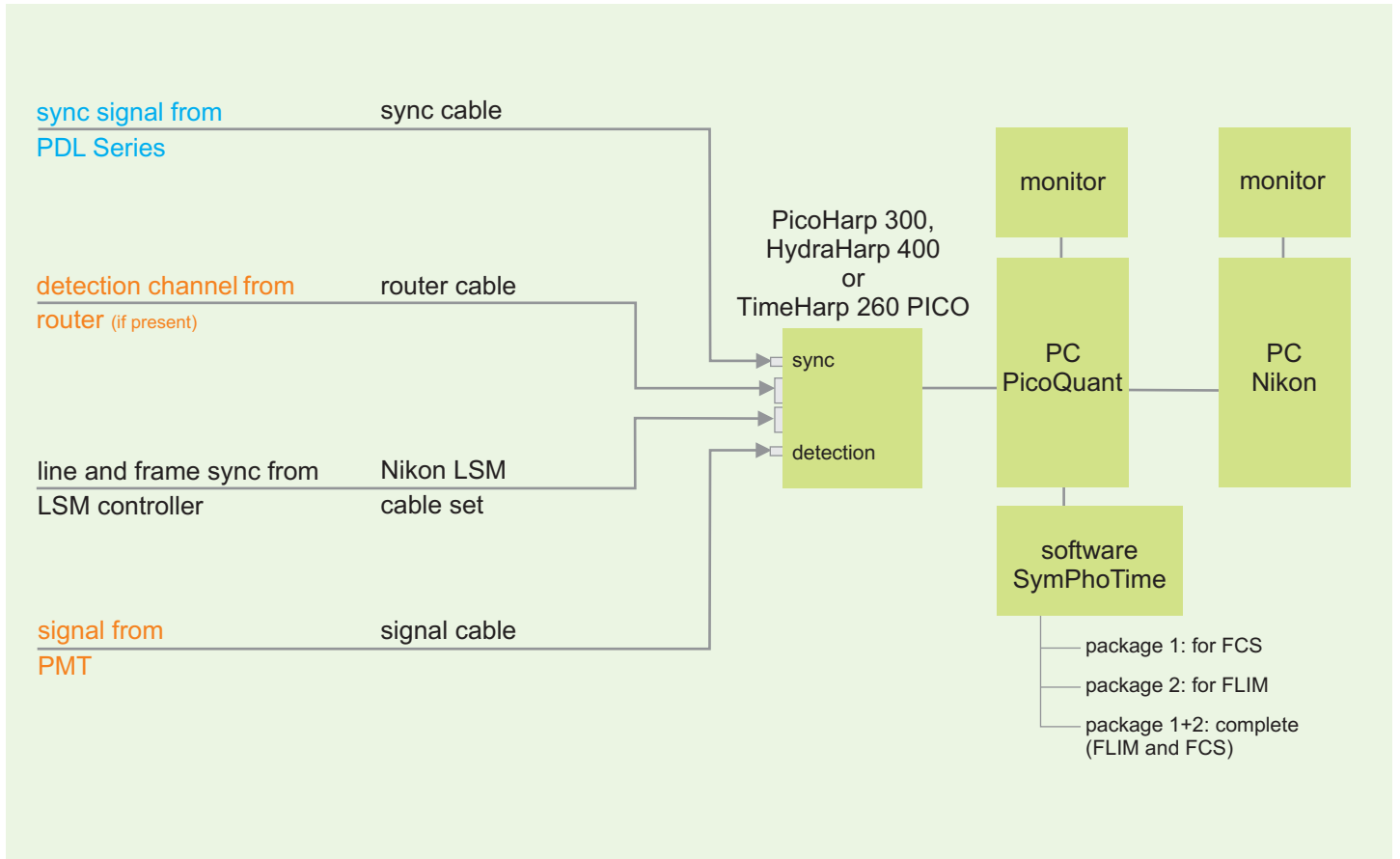
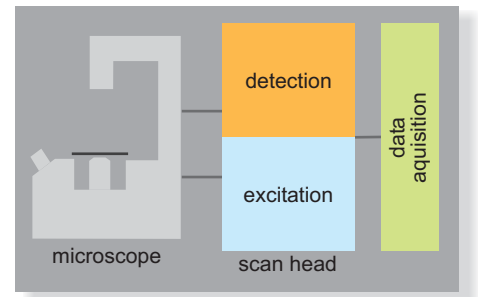


1) The exit port can create slight backreflections which are however in most applications not visible in the lifetime histogram.

2) Detection unit is available with up to four detectors, NDD only with up to 2 detectors possible.

3) Not needed with HydraHarp 400 and TimeHarp 260.

Components - Data Acquisition Nikon C1 and C2



All Information given here is reliable to our best knowledge. However, no responsibility is assumed for possible inaccuracies or omissions. Specifications and external appearances are subject to change without notice. Trademarks or corporate names are used for explanation and identification, to the owner's benefit and without intent to infringe.

© PicoQuant GmbH, December 2013



PicoQuant GmbH
Rudower Chaussee 29 (IGZ)
12489 Berlin
Germany

Phone +49-(0)30-6392-6929
Telefax +49-(0)30-6392-6561
Email info@picoquant.com
WWW <http://www.picoquant.com>